

Stainless Steel Regulator - Relieving

VHR3

Screwed BSPP, Stainless Steel Body & Bonnet



Pressure / Temperature Specifications

Temperature -20°C to 80°C

Material Specifications

Body & Internals AISI 316L Stainless Steel

Seals FPM

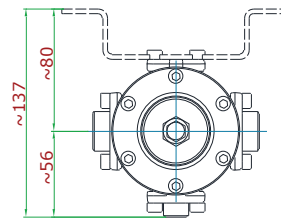
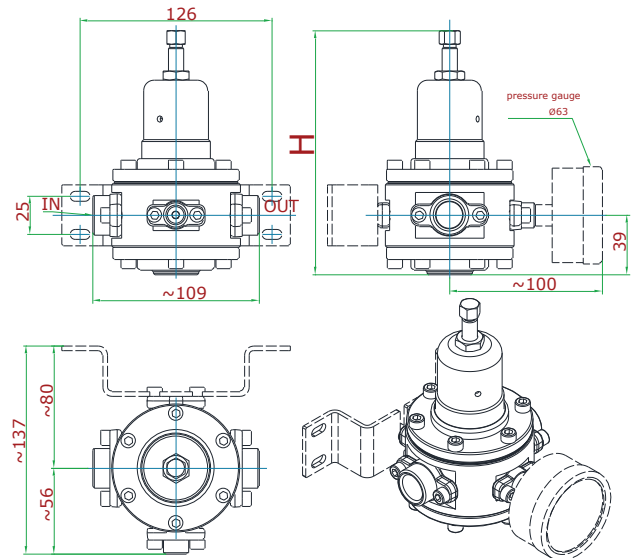
Diaphragm NBR & PTFE (up to 15 Bar Outlet. Piston Type 50 Bar Outlet)

Dimensions

Size	Inlet	Outlet	H	Gauge Port	Kv	Kg
1/2"	50 Bar	0.3 to 3 Bar	160	1/4"	2.99m ³ /h	3.2
1/2"	50 Bar	1.5 to 15 Bar	160	1/4"	2.99m ³ /h	3.2
1/2"	50 Bar	5 to 50 Bar	178	1/4"	2.99m ³ /h	3.2

Dimensions 1/2"

Size	1/2"	1/2"	1/2"
Inlet (Bar)	50	50	50
Outlet (Bar)	0.3 to 3	1.5 to 15	5 to 50
H	160	160	178
Gauge Port	1/4"	1/4"	1/4"
Kv (m ³ /h)	2.99	2.99	2.99
Kg	3.2	3.2	3.2



Dimensions 1"

Size	1"	1"	1"
Inlet (Bar)	50	50	50
Outlet (Bar)	0.3 to 3	1.5 to 15	5 to 50
L	137	137	137
Gauge Port	1/4"	1/4"	1/4"
Kv (m ³ /h)	8.4	8.4	8.4
Kg	4.3	4.3	4.3

