

Stainless Steel Needle Valve - Screwed BSPP - Male x Female - 6,000psi

LV 8723

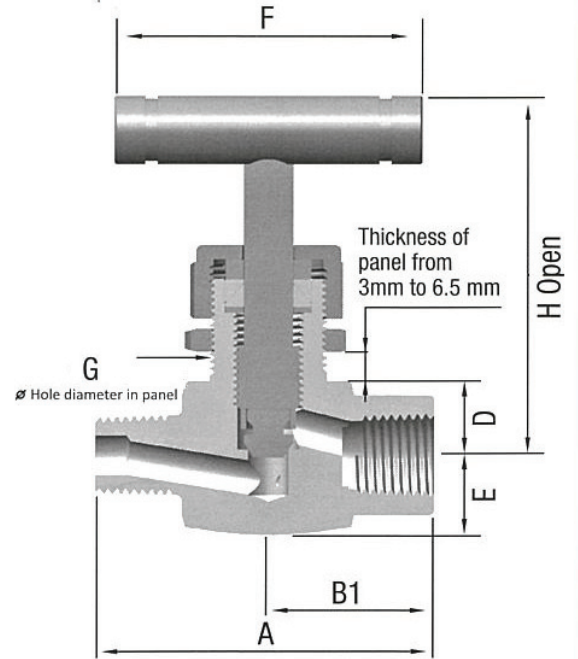
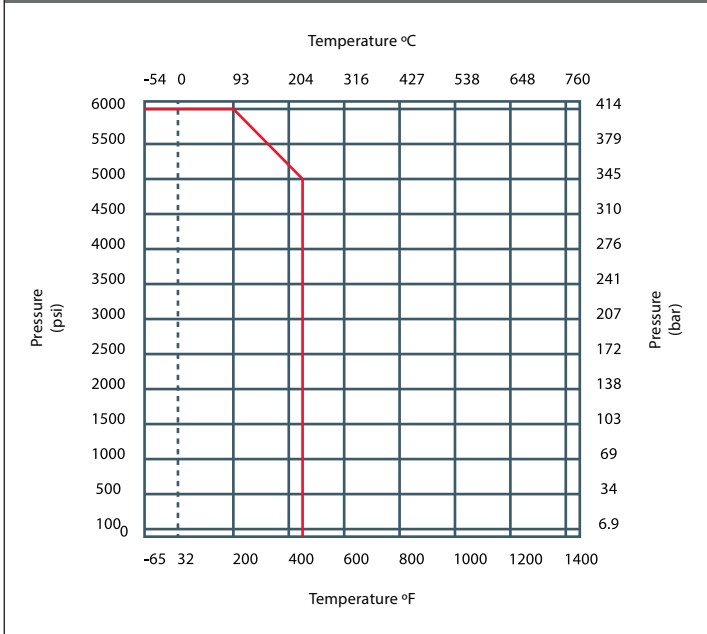
Screwed BSPP Male x Female, 316 Stainless Steel, Stem, Tee Handle, PTFE Packing



Pressure / Temperature Specifications

Pressure	6,000psi
Temperature	-54°C to 232°C

Pressure / Temperature Chart



Material Specifications

Body	ASTM A182 F316 Stainless Steel
Stem Tip	ASTM A564 SS 174 Stainless Steel
Stem	ASTM A479 SS 316 Stainless Steel
Lower Stem Packing Washer	ASTM A479 SS 316 Stainless Steel
Lower Stem Packing	PTFE
Upper Stem Packing	PTFE
Upper Stem Packing Washer	ASTM A479 SS 316 Stainless Steel
Panel Mounting Screw	ASTM A479 SS 316 Stainless Steel
Stem Seal Washer	ASTM A479 SS 316 Stainless Steel
Driver Screw	ASTM A479 SS 316 Stainless Steel
Handle	ASTM A479 SS 304 Stainless Steel

Dimensions

Size	Orifice	A	B1	D	E	F	F1	G	H	H1	Cv	Kg
1/4"	4.4	55	27.5	13	14	50	50	19.5	69	81	0.37	0.29
3/8"	6.4	75	37.5	19	21	70	78	23	89	104	0.73	0.31
1/2"	9.5	75	37.5	19	21	70	78	23	89	104	1.80	0.67