

# Stainless Steel Check Valve

LV 6853

Screwed BSPP, Machined 316L Stainless Steel Body, Disc & Spring, Viton Seat



### Pressure / Temperature Specifications

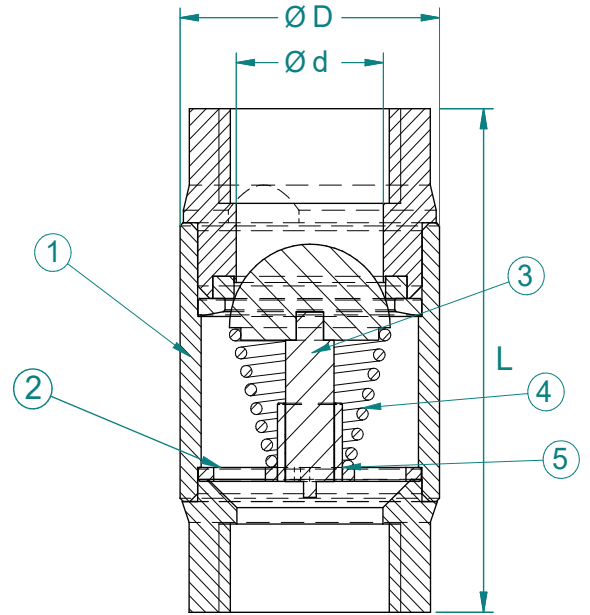
Pressure	PN40
Temperature	-25°C to 150°C

### Material Specifications

1. Body	316L Stainless Steel
2. Shaft	316L Stainless Steel
3. Dome	316L Stainless Steel
4. Spring	302 Steel
5. Guide	316L Stainless Steel

### Dimensions

Size	D	d	L	Kg	Opening Pressure
1/2"	26	13	47	0.09	0.10mbar
3/4"	33	17.5	58.5	0.17	0.06mbar
1"	42	24	70	0.31	0.05mbar
1 1/4"	59.5	30	75	0.68	0.04mbar
1 1/2"	59.5	36.5	75.5	0.66	0.05mbar
2"	72.5	46.5	89.5	0.9	0.05mbar



Last updated 04/07/2024