

# Stainless Steel Flanged Globe Valve



CF8M Stainless Steel Body, Bonnet & Wedge, Rising Stem

Flanged PN16 - **LV 6760** Flanged ANSI 150 - **LV 6765**

LV 6760 / LV 6765

Pressure / Temperature Specifications	
LV6760 Pressure	PN16
LV6765 Pressure	CL 150
Temperature	-10°C to 180°C

LV6760 Material Specifications	
1. Body	CF8M Stainless Steel
2. Disc	CF8M Stainless Steel
3. Stem	AISI 316 Stainless Steel
4. Gasket	PTFE
5. Cap	CF8M Stainless Steel
6. Gland Packing	PTFE
7. Bolt	AISI 304 Stainless Steel
8. Hinge Pin	AISI 304 Stainless Steel
9. Stem Bushing	PTFE
10. Gland	CF8 Stainless Steel
11. Nut	AISI 304 Stainless Steel
12. Eye Bolt	AISI 304 Stainless Steel
13. Yoke Sleeve	Bronze
14. Name Plate	AISI 304 Stainless Steel
15. Nut	AISI 304 Stainless Steel
16. Handwheel	FCD
17. Spring Washers	AISI 304 Stainless Steel
18. Seat	PTFE
19. Stem Gasket	PTFE
20. Gasket	AISI 304 Stainless Steel
21. Nut	AISI 304 Stainless Steel

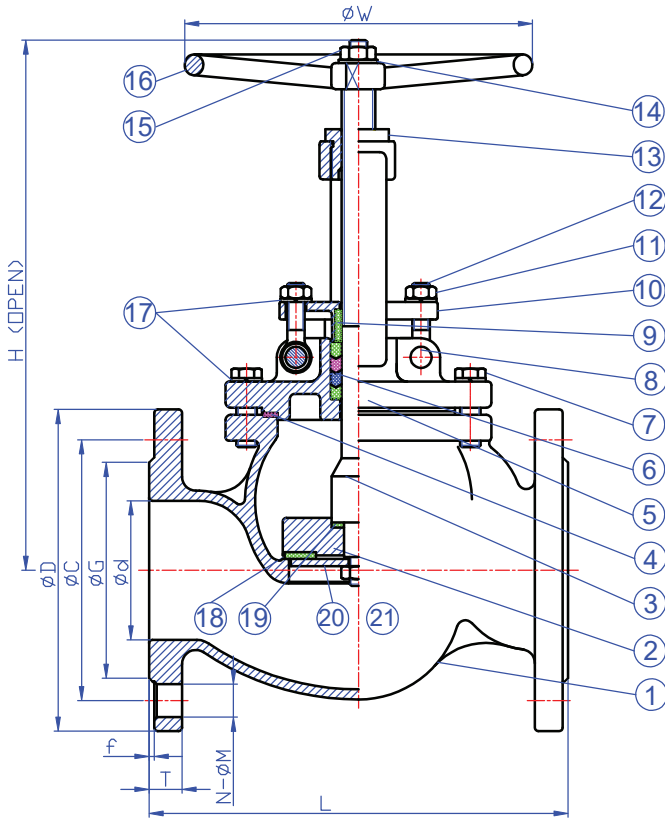
LV6765 Material Specifications	
1. Body	CF8M Stainless Steel
2. Disc	CF8M Stainless Steel
3. Disc Cover	CF8M Stainless Steel
4. Stem	AISI 316 Stainless Steel
5. Gasket	PTFE
6. Bonnet	CF8M Stainless Steel
7. Gland Packing	PTFE
8. Bonnet Bolt	AISI 304 Stainless Steel
9. Hinge Pin	AISI 304 Stainless Steel
10. Sleeve	PTFE
11. Gland	CF8 Stainless Steel
12. Nut	AISI 304 Stainless Steel
13. Eye Bolt	AISI 304 Stainless Steel
14. Yoke Sleeve	Bronze
15. Name Plate	AISI 304 Stainless Steel
16. Nut	AISI 304 Stainless Steel
17. Handwheel	FCD
18. Spring Washers	AISI 304 Stainless Steel

Continues on Page 2

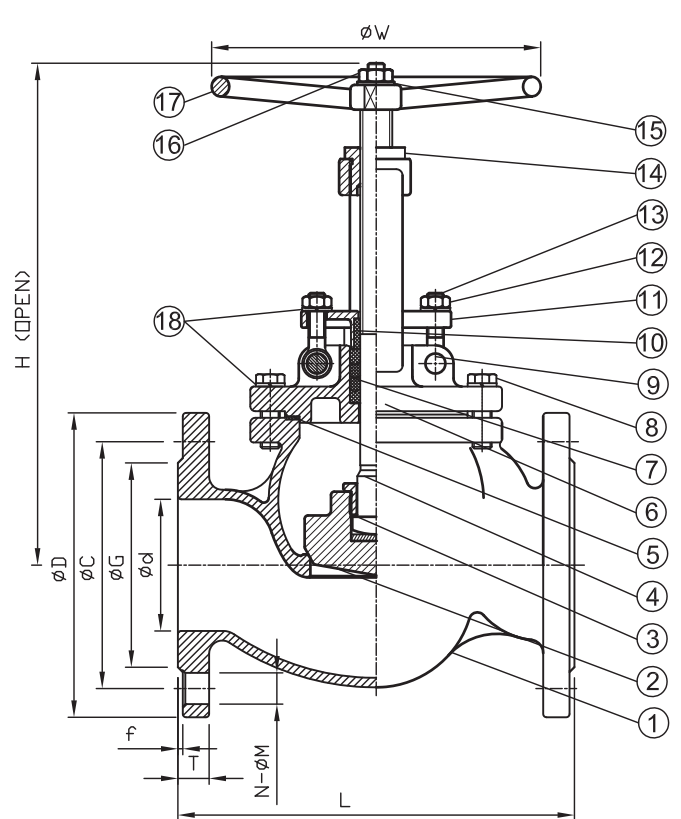
# Stainless Steel Flanged Globe Valve

LV 6760 / LV 6765

LV 6760 - PN16



LV 6765 - ANSI 150



LV6760 Dimensions

Size	d	L	H	W	D	C	G	f	T	NxM	Kg
1"	25	127	212	140	115	85	65	3	16	4 x 14	4.2
1½"	40	165	246	160	150	110	84	3	18	4 x 18	7.6
2"	50	203	252	200	165	125	99	3	20	4 x 18	12.2
2½"	65	216	308	200	185	145	118	3	20	4 x 18	15.8
3"	80	241	327	250	200	160	132	3	20	8 x 18	20.2
4"	100	292	384	250	220	180	156	3	22	8 x 18	28.6

LV6765 Dimensions

Size	d	L	H	W	D	C	G	f	T	NxM	Kg
1"	25	127	200	140	108	79.5	51	1.6	12.1	4 x 16	4.2
1½"	40	165	245	160	127	98.5	73	1.6	14.3	4 x 16	7.6
2"	50	203	258	200	152	120.5	92	1.6	15.9	4 x 19	12.2
2½"	65	216	210	200	178	139.5	105	1.6	17.5	4 x 19	15.8
3"	80	241	325	250	190	152.5	127	1.6	19.1	4 x 19	20.2
4"	100	292	390	250	229	190.5	157	1.6	23.9	8 x 19	28.6