

Stainless Steel Flanged Gate Valve



CF8M Stainless Steel Body, Bonnet & Wedge, Rising Stem

Flanged PN16 - **LV 6660** Flanged ANSI 150 - **LV 6665**

Pressure / Temperature Specifications

LV6660 Pressure	PN16
LV6665 Pressure	CL 150
Temperature	-10°C to 180°C

Material Specifications

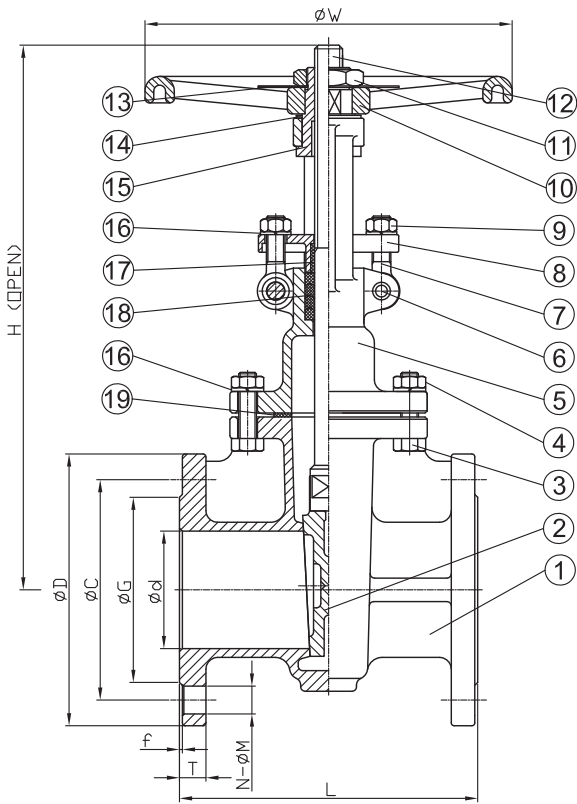
1. Body	CF8M Stainless Steel
2. Disc	CF8M Stainless Steel
3. Bolt	AISI 304 Stainless Steel
4. Nut	AISI 304 Stainless Steel
5. Cap	CF8M Stainless Steel
6. Hinge Pin	AISI 304 Stainless Steel
7. Eye Bolt	AISI 304 Stainless Steel
8. Gland	CF8 Stainless Steel
9. Eye Nut	AISI 304 Stainless Steel
10. Handwheel	FCD
11. Nut	Bronze
12. Stem	AISI 316 Stainless Steel
13. Name Plate	AISI 304 Stainless Steel
14. Gasket	Bronze
15. Yoke Sleeve	Bronze
16. Spring Washer	AISI 304 Stainless Steel
17. Stem Bushing	PTFE
18. Gland Packing	PTFE
19. Gasket	PTFE 1" to 4" AISI 304
	Stainless Steel & Graphite 6" and above

Continues on Page 2

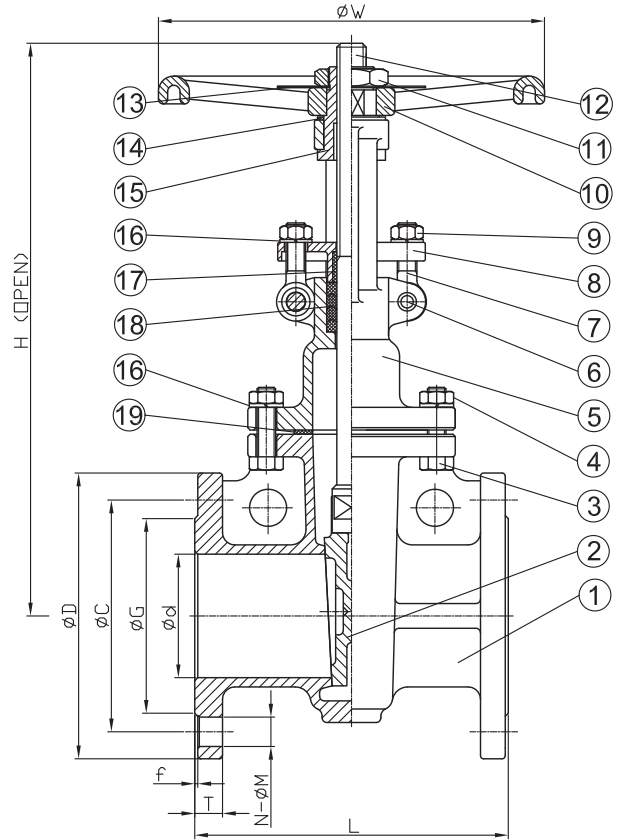
Stainless Steel Flanged Gate Valve

LV 6660 / LV 6665

LV 6660 - PN16



LV 6665 - ANSI 150



LV6660 Dimensions

Size	d	L	H	W	D	C	G	f	T	NxM	Kg
1"	25	127	234	120	115	85	68	2	16	4 x 14	4.72
1½"	40	165	300	200	150	110	88	3	16	4 x 18	7.96
2"	50	178	331	200	165	125	102	3	18	4 x 18	11.6
2½"	65	190	393	200	185	145	122	3	18	4 x 18	16.2
3"	80	203	470	250	200	160	138	3	20	8 x 18	22.0
4"	100	229	545	250	220	180	158	3	20	8 x 18	33.0
6"	150	267	740	300	285	240	212	3	22	8 x 22	63.5
8"	200	292	910	350	340	295	268	3	24	12 x 22	89.7

LV6665 Dimensions

Size	d	L	H	W	D	C	G	f	T	NxM	Kg
1"	25	127	234	120	115	85	65	2	16	4 x 14	4.72
1½"	40	165	300	200	150	110	84	3	16	4 x 18	7.96
2"	50	178	331	200	165	125	99	3	18	4 x 18	11.6
3"	80	203	470	250	200	160	132	3	20	8 x 18	22.0
4"	100	229	545	250	220	180	156	3	20	8 x 18	33.0
6"	150	267	740	300	285	240	211	3	22	8 x 22	63.5
8"	200	292	910	350	340	295	266	3	24	12 x 22	89.7