

Brass Ball Valve - 3 Way



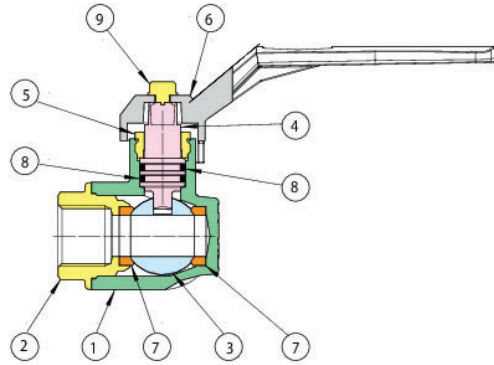
LV 5310 T / LV 5311 L

Screwed BSPP, Nickel Plated Body, Reduced Bore, Lever Operated



Pressure / Temperature Specifications		
Pressure	1/4" & 3/8"	PN55
	1/2" & 3/4"	PN50
	1"	PN45
	1 1/4" to 2"	PN35
Temperature	-10°C to 120°C	

Material Specifications	
1. Body	CW617N Brass
2. End	CW617N Brass
3. Ball	CW617N Brass
4. Stem	CW614N Brass
5. Packing Gland	CW614N Brass
6. Handle	Aluminium
7. Ball Seat	PTFE
8. O-ring	FKM
9. Screw	Steel



Dimensions															
Size	ØP	I	L	M	Ch	R	h	U	A	B	C	ØH	Kv	Kg	
1/4"	11	19	77	38.5	22	125	66	21.0	48	8.1	11.5	39	1.5	0.73	
3/8"	12	19	77	38.5	22	125	66	21.0	48	8.1	11.5	39	2.5	0.68	
1/2"	14	19	77	38.5	27	125	66	21.0	48	8.1	11.5	39	3.5	0.66	
3/4"	18	23	91.4	45.7	34	145	83	24.5	58.6	12.1	16	47	7.0	1.1	
1"	23	24.7	104	52	41	170	98	29.0	67.5	13.7	18	54.4	12.0	1.67	
1 1/4"	29	27.4	118.4	59.2	50	170	99	33.5	72	13.7	18	64.4	19.5	2.23	
1 1/2"	36	31.5	138	69	57	170	108	39.0	78.6	13.7	18	78.6	37	3.36	
2"	45	36	162	81	70	260	139	47.0	107	18.1	22	93.6	52	5.47	

