

Brass Ball Valve - 3 Way Diverter - ISO Top



Screwed BSPP, ISO 5211 for Direct Mount, Nickel Plated Body, Full Bore

LV4530T = T Port

LV4531L = L Port

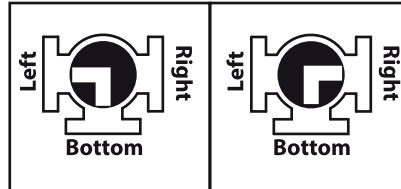
Pressure / Temperature Specifications

Pressure	PN25
Temperature	-10°C to 100°C

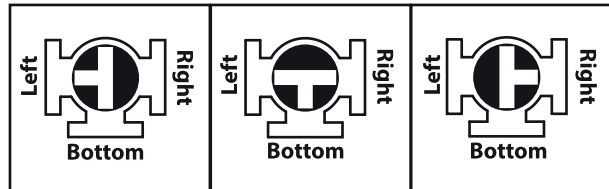
Material Specifications

Body	Nickel Plated Brass
Ball	Chrome Plated Brass
Seat O-ring	NBR
ISO Top	Nickel Plated Brass
Packing Nut	Brass
Gland Nut	Brass
Thrust Washer	PTFE
Stem Washer	PTFE
Stem	Brass
Stem O-ring	NBR
Seat	PTFE
Spacer	Brass

90° Rotation

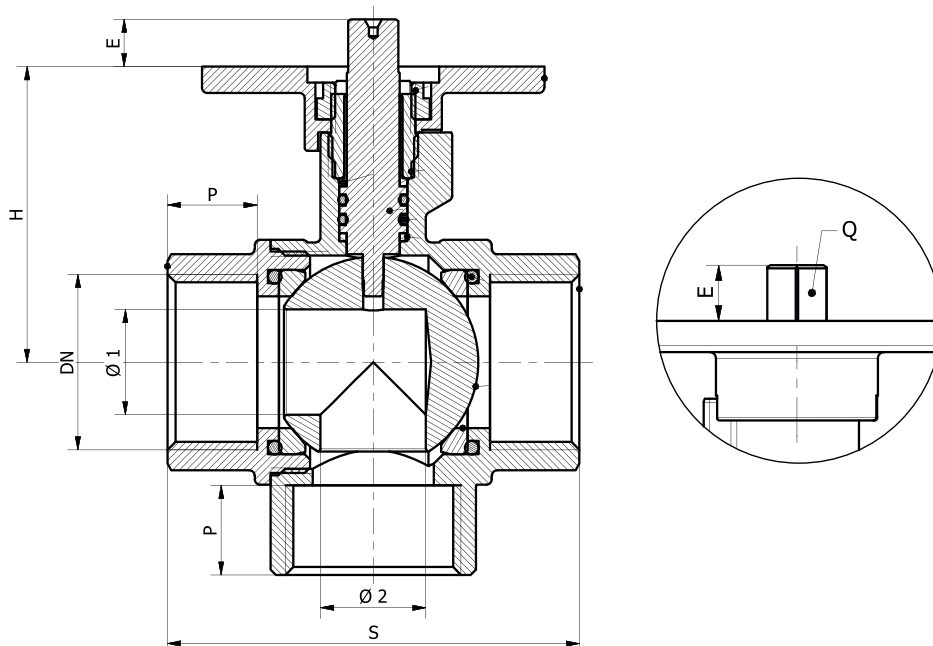


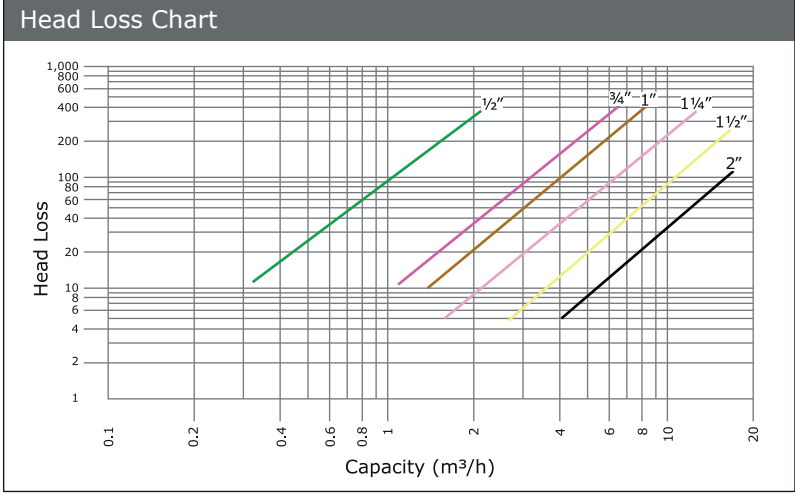
90° Rotation



Dimensions

DN	S	Ø1	Ø2	P	H	E	Q	ISO	Nm	Kv	Kg
1/2"	56	10	10	14	48	8	11	F03	4.0	3.67	0.38
3/4"	68	15	15	16	52	8	11	F03	4.0	10.19	0.5
1"	78	20	20	17	56	8	11	F03	5.0	12.74	0.7
1 1/4"	90	25	25	18	68	10	11	F05	5.0	19.65	1.15
1 1/2"	100	32	32	19	73	10	11	F05	6.0	33.14	1.67
2"	115	40	40	21	79	10	11	F05	7.0	51.07	2.55
3"	180	68	68	25	104	12	11	F05	18.0	TBC	7.22





Last updated 25/02/2021